

Electronic Locks

ID LOCK 1000



PRODUCT DESCRIPTION

ID LOCK 1000 is an electronic locking system for the uncomplicated locking of cabinets and safe-deposit boxes. It is important to us that your sensitive data and valuables are secure against unauthorized third parties. Thanks to its unobtrusive design and robust feel, the lock can be easily installed in various materials. Thus, the ID LOCK 1000 can be installed in wooden cabinet doors as well as in steel furniture. Due to its ergonomic and qualitatively flawless design, it is one of the most practical locking systems on the market.

Multiuser mode (default)

This mode is particularly suitable for constantly changing users, who use the locker only temporarily or once. The transponder is therefore only valid for a single locking process and is automatically deleted by the locker when it is opened.

Private mode

In this mode, the lock is permanently assigned to a single user. This user is now permanently authorized to operate the lock.

Battery warning

The device indicates the falling battery voltage by lighting up a red LED signal light. It is recommended to change the battery as soon as the lock indicates a low level. If the battery level has reached the critical range, the ID LOCK 1000 can no longer be operated.

APPLICATIONS

- Gym
- Swimming pools
- Office buildings
- Schools

FEATURES

- Flexible locking options (1, 2, or 3-point locking)
- 2 installation variants (Retro-Fit | Flush-Fit)
- Mifare Classic 1K
- Battery drawer can be exchanged from the outside
- Different deadbolts for each installation situation
- Private mode or free locker selection

TECHNICAL DATA

ELECTRICAL SPECIFICATIONS

Locking cycles	25.000
Bolt type	B
Battery	VARTA 1/2 AA (2x)
Locking direction	Left (90°)
RFID-Option (HF)	• MIFARE® Classic (13,56 MHz)

MECHANICAL SPECIFICATIONS

Dimensions	50 mm Diameters
Installation dimensions	16 mm x 19 mm (Retro-Fit) 45 mm x 47 mm (Flush-Fit)
Material	Casing: Plastic Bolt: Steel
Lock attachment	M19 nut screw (1x)
Maximum door thickness	18 mm
Modus	Private Mode Multiuser Mode (default)

SCOPE OF DELIVERY

Standard	1x Electronic lock, 1x Bolt type B, 1x Nut M1, 1x Manual (Digital), 1x Rotational protection
----------	--

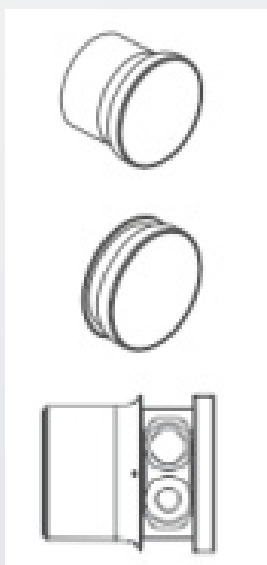
ORDER CODES

VERSIONS

ID LOCK 1000

ORDER CODES

R-EA-EEL-1000-HF



Retro-Fit

The Retro-Fit installation allows easy and almost tool-free replacement of the existing locks. Fast and cost-effective.

Flush-Fit

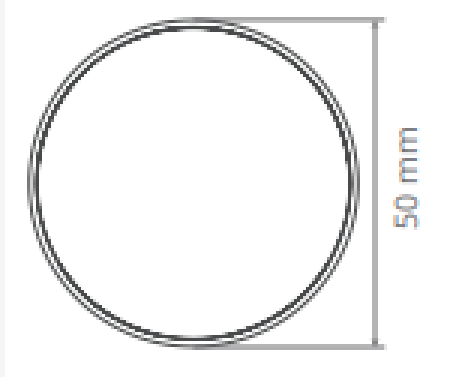
The ID LOCK 1000 can be recessed into a furniture front and screwed in place with the ID LOCK 1000-Ring. The lock stands out discreetly from the front.

Battery Drawer

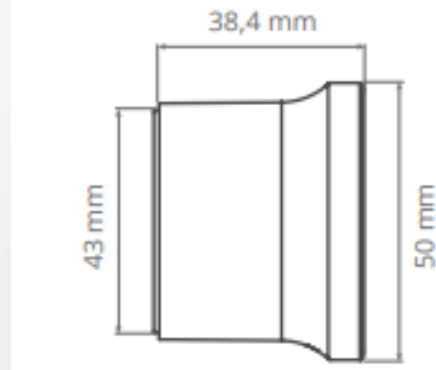
The batteries can be changed from the outside in both installation situations without having to unlock the lock.

MECHANICAL VIEW

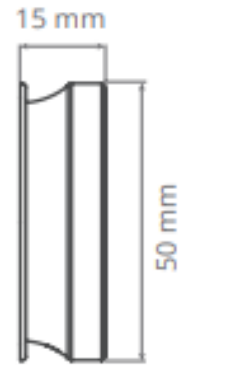
FRONT VIEW



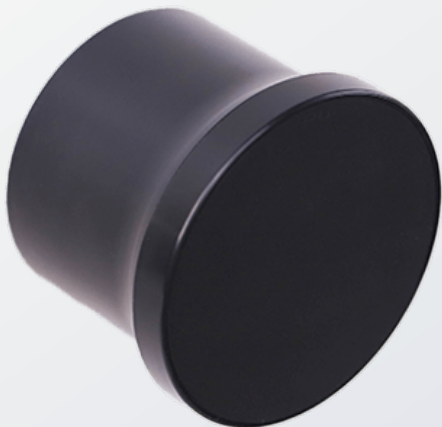
RETRO FIT



FLUSH FIT



RETRO FIT



FLUSH FIT

