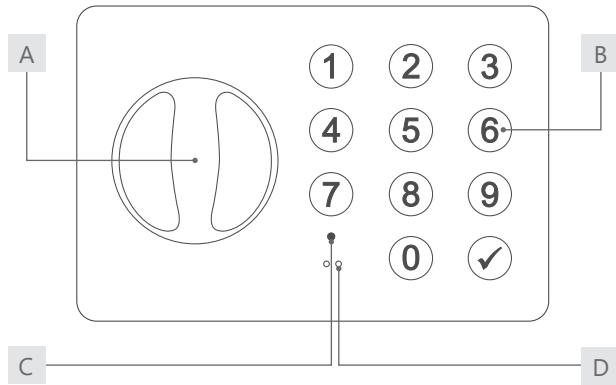


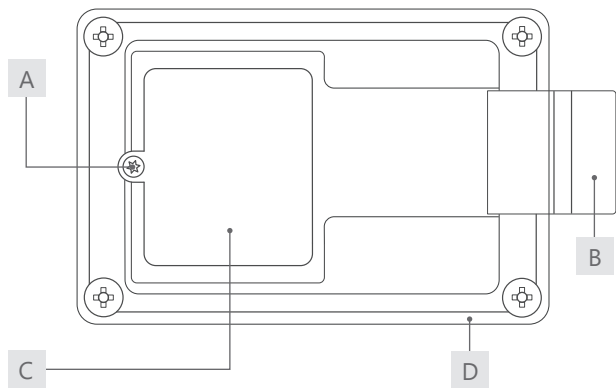


ID LOCK 4000
Manual

ID LOCK 4000



- A Rotary knob
- B Touchpad buttons
- C Status-LED
- D Emergency power supply



- A Battery compartment screw
- B Latch
- C Battery compartment
- D Mounting frame

Content

Introduction.....	2
General.....	2
Technical Data.....	3
Defaultsettings.....	3
Scope of delivery.....	3
Features.....	3
Dimensions	3 - 4
Functional descriptions.....	4
Functional descriptions RTC.....	4
Installation.....	5
Configuration.....	6
Operation.....	6
Entering of the Master- codes.....	7
Battery change.....	7
Disposal and battery notice.....	7

Introduction

The electronic combination lock **ID LOCK 4000** sets the standard for secure storage of valuable items indoors.

The high-quality locking system offers various features, making everyday life easier. It impresses with its elegant design, durable and fire-resistant stainless steel buttons, and ergonomic rotary knob. The solid Zamak cast housing and the flat numeric keypad with laser-engraved digits ensure effective protection against damage, wear, and tear even with high frequency of use.

Important: Please heed all warnings and read the entire user manual before starting the configuration process.

General

The latest version of this manual is available at:
www.idtronic-wellfit.de
www.idtronic-secureaccess.de

Data Sheet

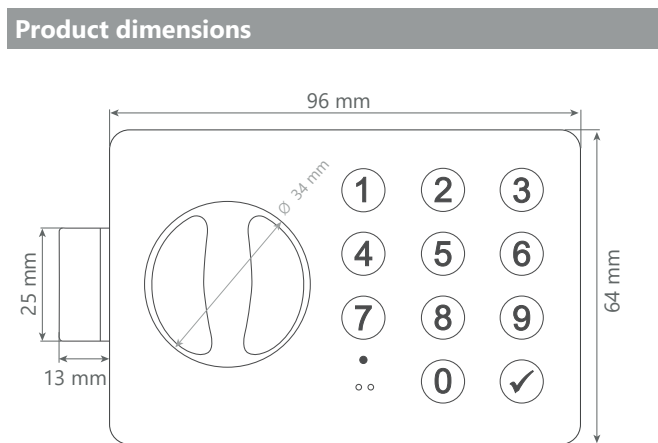


Technical Data	
Dimensions	Control Unit: 96 x 64 x 23 mm Mounting frame: 98 x 66 x 8,7 mm
Battery	VARTA ¹ CR123A (2x)
Closing cycles	About 60.000
Temperature range	0° C to 40° C
Number of possible codes	999.999
PIN-Length	4 or 6 digits
Mode	Multiuser-mode, Private-mode
Material	Casing: Zamak Buttons: Stainless steel Latch: Zamak
Closing direction	Right, Left
Lock mounting	Mounting frame
Max. door thickness	Without milling: 8 mm With milling: 19 mm
Pull-off force	1800 N

Default-Settings	
General-code	by arrangement
Master-code	934716 (176394)
Mode	Multiuser-mode
PIN-Length	4 digits
Locking mechanism	Manual
LED lock indicator	On
Confirmation code	Off

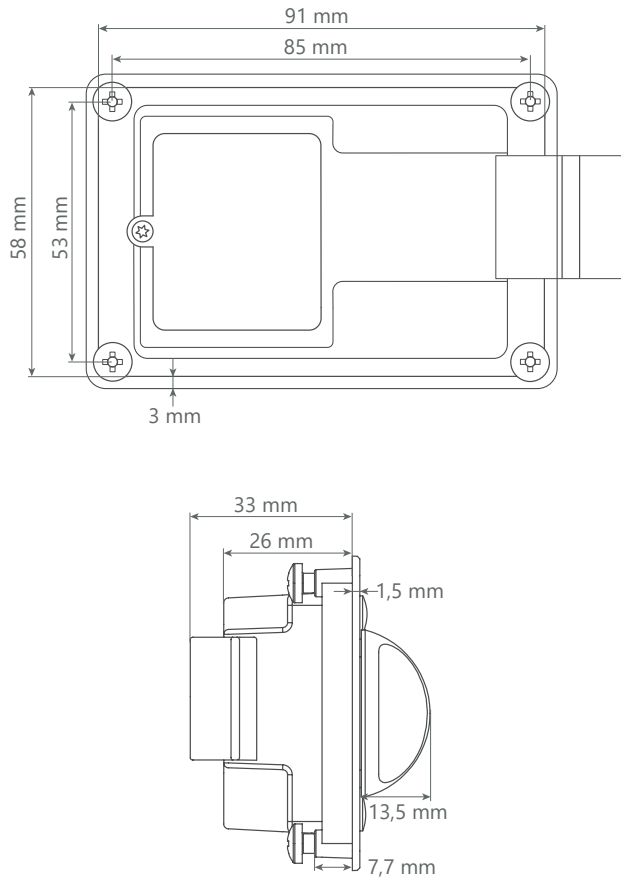
Scope of delivery
<ul style="list-style-type: none"> 1x Closing Unit 1x Mounting frame 4x Mounting screws 2x Battery (in the lock)²

Features
<ul style="list-style-type: none"> High-quality metal housing (Zamak) with stainless steel buttons Suitable for wooden and metal doors (indoor) Latch function - door can be locked by pressing Long battery life (60,000 locking cycles) LED lock indicator Easy configuration and programming Ergonomic rotary knob and high-quality design Integrated real-time clock (RTC)



¹ The lock is approved for VARTA brand batteries. The use of other batteries may result in a reduced number of possible locking cycles.

² Dependent on contract and air freight restrictions.



Functional descriptions

Mode: Fixed Authorization (Private-mode)

In this mode, a preset-PIN is provided to operate the lock. This mode is suitable for user groups where user permissions should not change permanently, such as in an office cabinet. To lock, the user holds down the latch button. The lock is opened again by entering a stored PIN. Up to 50 PINs can be stored. A non-stored PIN will be rejected by the lock.

Mode: Multiuser Authorization (Multiuser-mode)

This mode is suitable for constantly changing users who only use the compartment temporarily or once, such as in a sports facility. The PIN is valid for a single locking operation and is deleted by the lock when the compartment is reopened. The lock remains in the open state until it is locked again. Before locking, the door must be closed (pressed lightly). The user enters a PIN of their choice (4 or 6 digits) to lock. The green LED flashes briefly. The lock is opened by entering the same PIN.

Confirmation-code (Multiuser-mode)

To lock the lock, the PIN needs to be entered twice. It is only after the second entry that the lock will be engaged. The second entry is made after a brief flash of the green LED. For unlocking, a single PIN entry is sufficient. This function can be enabled or disabled.

Master-code

The master-code authorizes the programming of the lock. Additionally, the master-code can open the lock independently of the set mode (emergency opening) and end the lockout-mode. In multiuser-mode, the PIN used for locking is deleted after entering the master-code.

Note: We recommend programming a personal master-code before operating the lock.

LED lock indicator

The lock indicates the locked state by blinking the red LED once per second. This function can be enabled or disabled.

Automatic lock (Private-mode)

The lock automatically relocks three seconds after opening. The door does not need to be closed for this to occur. With the latch function, the door can be closed even with the lock engaged by gently pressing it. This function can be enabled or disabled.

Battery warning

If the battery capacity falls below a certain threshold, the red LED will illuminate for three seconds after entering the PIN. Once the critical level is reached, the lock cannot be locked anymore or can only be opened with the master-code.

Note: We recommend replacing the battery after the first warning indication.

Lockout-mode

After three consecutive failed opening attempts, the lock enters a lockout-mode for 45 seconds. During this time, no action can be performed on the lock. The lockout period is indicated by the red LED blinking once per second. The lockout-mode can be prematurely lifted by entering the master-code.

Functional descriptions RTC

The ID LOCK 4000 RTC also features an integrated software real-time clock, which allows for programming time-based functions. The functions and defined times must be specified when placing the order.

Automatic locking and unlocking

The lock automatically locks and unlocks at a predefined time. The times can be set separately for each day of the week.

Usage period

The lock can only be operated within the individually defined usage period. Operation is not possible outside of the specified period. The times can be set separately for each day of the week.

Locking duration

The locking duration defines the period during which a lock can remain locked from the moment of closure. After the expiration of the locking duration, the lock will automatically open.

Installation

- 1 Prepare the installation hole on the door front according to the installation dimensions described below. Note that for wooden and HPL fronts, an adapted two-stage recess for the mounting frame (see illustration) needs to be milled. This recess is not required for metal fronts.
- 2 Place the mounting frame into the installation hole on the inside of the door and hold it in position.
- 3 Insert the lock body from the outside of the door, with the latch leading, into the installation hole. Then, check if the lock body is fully seated on the outside of the door.
- 4 Secure the mounting frame to the lock body using the four screw holes. Tighten the screws hand-tight (2 Nm) while ensuring the required screw length is used. The screw length depends on the thickness of the door in which the lock is being installed.
- 5 Check if the latch securely engages with the strike plate or the door jamb when in the locked position (approximately 5 mm). The latch should smoothly fall into its final position without any pressure when the locking system is closed.

Note: The closing can be adjusted optimally by using an adjustable strike plate.

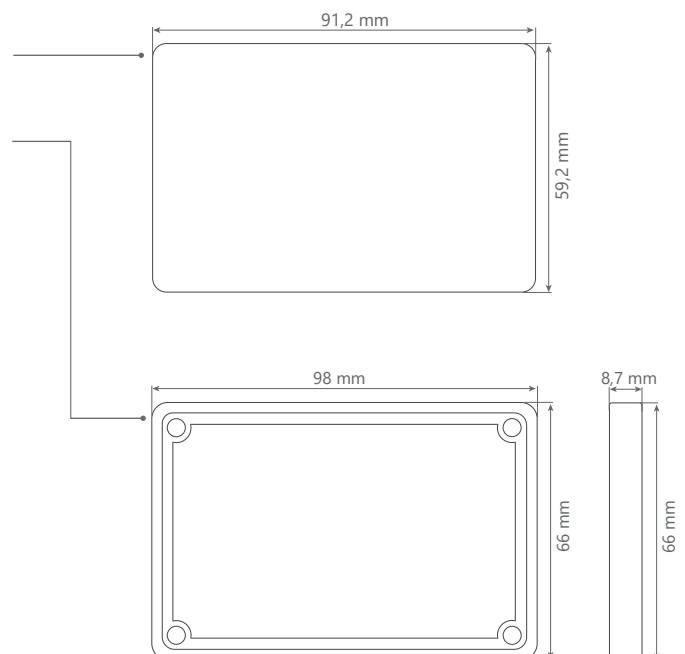


Installation dimensions

The dimensions for the installation hole on the outside of the door apply to installation in wooden, HPL, and steel fronts..

For wooden and HPL fronts, an additional recess on the inside of the door is required. The dimensions of the milling correspond to the dimensions of the mounting frame.

Note: The drawings shown here are not to scale and are not suitable as milling templates.



Configuration

Please pay attention to the following instructions before starting the configuration:

- Each configuration step begins with a double press of the latch button followed by the corresponding digit.
- Each configuration step is completed with a double blink of the green LED.
- The next configuration step can only be started after the double blink of the green LED.
- If the red LED blinks rapidly 8 times in a row, the configuration step was not performed correctly.

1 Mode selection

a) Private-mode

Enter Master-code	✓✓ 1 (9) Mastercode ✓
Enter Mode	✓✓ 5 (5) 0 (0) ✓

Note: To assign private PINs, please proceed to step 3a "Assign PIN".

b) Multiuser-mode

Enter Master-code	✓✓ 1 (9) Master-code ✓
Enter Mode	✓✓ 5 (5) 1 (9) ✓

Note: After changing the mode, all functions will be reset to their default settings. This does not apply to the master-code.

2 Adjust PIN-Length

Enter Master-code	✓✓ 1 (9) Mastercode ✓
Choose number of positions	✓✓ 0 (0) x ✓
	4 digits: x = 4 (6)
	6 digits: x = 6 (4)

Note: After changing the number of positions, all PINs stored in Private-mode will be deleted.

3 Configure functions

a) Configuration in Private-mode

Assign PIN	
Master-code	✓✓ 1 (9) Master-code ✓
Assign PIN	✓✓ 3 (7) xxxx (xx) ✓

Delete PIN

Enter Master-code	✓✓ 1 (9) Mastercode ✓
Delete PIN	✓✓ 9 (1) xxxx (xx) ✓

Note: Enter the PIN you want to delete.

Automatic locking

Enter Master-code	✓✓ 1 (9) Mastercode ✓
Activate	✓✓ 6 (4) 1 (9) ✓
Deactivate	✓✓ 6 (4) 0 (0) ✓

b) Configuration in multiuser-mode

Confirmation-code

Enter Master-code	✓✓ 1 (9) Mastercode ✓
Activate	✓✓ 2 (8) 1 (9) ✓
Deactivate	✓✓ 2 (8) 0 (0) ✓

c) Configure general functions

Set your own Master-code

Enter old Master-code	✓✓ 1 (9) Master-code ✓
Enter new Master-code	✓✓ 7 (3) xxx xxx ✓

Note: The master-code must be 6 digits long.

LED lock indicator

Enter Master-code	✓✓ 1 (9) Mastercode ✓
Activate	✓✓ 8 (2) 1 (9) ✓
Deactivate	✓✓ 8 (2) 0 (0) ✓

4 Restore default settings

Enter General-code	✓✓ 4 (6) General-code ✓
--------------------	-------------------------

Operation

1 Operation in Private-mode

Close	Enter PIN
Open	Enter PIN

2 Operation in Multiuser-mode

Close	Enter PIN
Open	Enter PIN

Note: If the confirmation-code is set, the PIN must be entered twice when closing.

Enter the Master-code

The master-code can open the lock regardless of the set mode, initiate the configuration, or end the lockout-mode. Please pay attention to the following note when entering the code:

Always start entering the master-code by double-pressing the latch button and entering the digit 1.

Enter Master-code ✓✓ 1 (9) Mastercode ✓

Note: When opening in multiuser-mode using the master-code, the PIN used for locking will be deleted after entering the master-code.

Battery change

The batteries should be replaced immediately as follows when the battery warning is active (page 4):

1. Loosen the screw of the battery compartment cover (Fig. p. 2) and remove the battery compartment cover.
2. Remove the empty batteries and insert new batteries according to the symbols (+ / -).
3. Close the battery compartment with the cover and secure it with the screw.

Disposal and battery notice

The EU Directive 2012/19/EU regulates the proper collection, treatment, and recycling of used electronic devices. Every consumer is legally obligated to dispose of batteries, accumulators, or electronic devices ("waste electrical and electronic equipment") that are operated with batteries or accumulators separately from household waste, as they contain hazardous substances and valuable resources. Disposal can be done at authorized collection or take-back points, such as local waste or recycling centers. Waste electrical and electronic equipment, batteries, or accumulators are accepted there free of charge and undergo environmentally friendly and resource-conserving recycling. Used electrical and electronic equipment, batteries, or accumulators can also be returned to us. The return shipment must be sufficiently postage-paid to the address provided below. The following symbol on electrical and electronic equipment, batteries, or accumulators indicates that they must not be disposed of with household waste:



Caution when using batteries!

The battery can explode or release flammable gases if mishandled, damaged, or if the wrong type of battery is used. Do not recharge, disassemble, expose to extreme temperatures, or throw into fire.

On batteries containing hazardous substances, you will find abbreviations indicating the presence of Cadmium (Cd), Mercury (Hg), and Lead (Pb) as ingredients.

iDTRONIC

Ludwig-Reichling-Straße 4
67059 Ludwigshafen am Rhein
+49 621 669 009 20
support@idtronic.zendesk.com