

Electronic lock

## ID LOCK 4000

### PRODUCT DESCRIPTION

Where no identification medium (membership card or similar) is available, the electrical lock ID LOCK 4000 offers a high-quality and secure solution. Access to a locker is granted by means of a numerical code. After three incorrect entries, the lock is locked for one minute. By entering the master code, the lock can be unlocked immediately. The lock is opened with a manual knob.

The electronic combination lock ID LOCK 4000 is a robust and high-quality electrical lock for cabinets and compartments. The ID LOCK 4000 is characterized by robust stainless steel keys and an assembly-friendly design.

Equipped with 2 lithium batteries, the combination lock can withstand up to 60.000 opening and closing cycles.

Programming options include Multi User and Private Code. The mounting frame and screws are included.



### APPLICATIONS

- Gym
- Swimming pools
- Office building
- Schools

### FEATURES

- Does not require a transponder
- Open via number input
- Stainless steel buttons
- Various programming options

## TECHNICAL DATA

### ELECTRICAL SPECIFICATIONS

Battery	Varta 2xCR123
Locking direction	Right, Left
Closing Cycles	approx. 60,000
Programming	Private mode (fixed code) Multi User (hotel mode)
Code length	4 or 6
Number of possible codes	999.999

### ENVIRONMENTAL CONDITIONS

Operating Temperature	0°C to +40°C (no condensation)
-----------------------	--------------------------------

### MECHANICAL SPECIFICATIONS

Dimensions	96 x 64 x 23 mm
Material	Knob: Zamak Housing: stainless steel
Lock attachment	Mounting frame
Bolt	Latch bolt made of zinc (nickel-plated)
Maximum door thickness	Without milling: 8mm, with milling: 19mm
Scope of delivery	Electronical lock Programming instructions Assembly instructions Screws Mounting frame 2x 3V lithium battery

## ORDER CODES

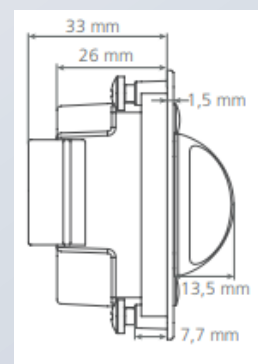
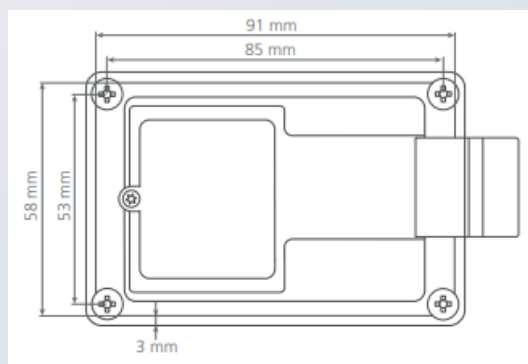
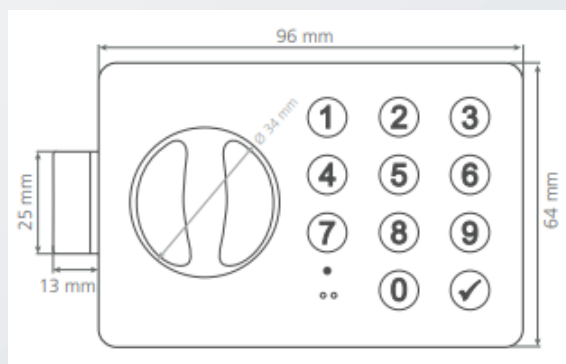
### DESCRIPTION

ID LOCK 4000

### ORDER CODES

R-EA-EEL-4000

## MECHANICAL VIEW



## PRODUCT IMAGES

