



Turnstile

# ID GATE 7700

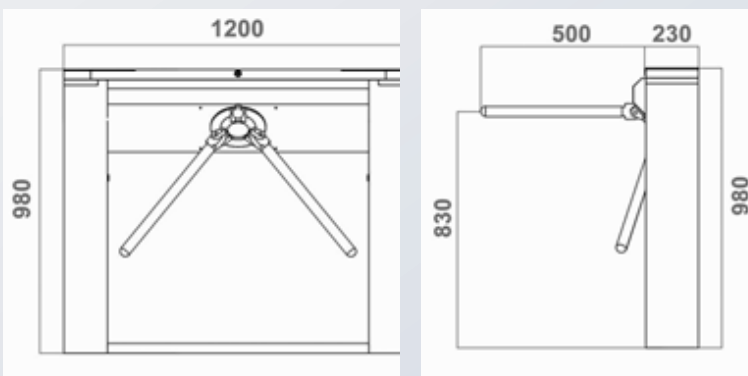


## PRODUCT DESCRIPTION

The ID GATE 7700 turnstile offers a reliable and secure access control solution for a variety of applications. Whether in office buildings, museums, stadiums, or universities, the turnstile protects against unauthorized access, ensuring a higher level of security.

Thanks to its versatile capabilities, the ID GATE 7700 is used in various environments, such as public transportation or airports. With the turnstile, access to specific areas is restricted, creating a safe and exclusive environment that meets the highest standards of functionality and security.

## DIMENSIONS



## HIGHLIGHTS

- **Durability, high operational reliability, and quick response**
- **Transponder- or ticket-based entry and exit possible, alternatively, free-turning exit**
- **Automatic anti-panic folding arms that guarantee free passage in emergency situations (e.g., power failure or fire alarm)**
- **Integrated LED indicators show the passage direction**
- **3 year warranty**

## Accessories (Optional)

- **iDTRONIC R840 Ethernet**
- **QR Code Reader ID Ident 1500/2000**
- **Remote Control (Wired /Wireless)**
- **3rd party reader installation (z.B. MIFARE, LEGIC, EM, HID etc.)**

## TECHNICAL DATA

### SPECIFICATION

Dimensions	1200 x 230 x 980mm (L x B x H)
Passage width	550mm, (Arm length: 500mm)
Material	Stainless Steel (304)
Power Supply	AC230V/110V, 50/60Hz
Power Consumption	20W
Operating voltage	24V DC
Passage Frequency	35-40 people per minute
Emergency Mechanism	Automatic anti-panic folding arms
Communication Interface	relay signal
Operating Temperature	-15 °C up to 60 °C
Protection Class	IP65 (for indoor and outdoor use)
Scope of Delivery	<ul style="list-style-type: none"> <li>• Stainless steel Turnstile</li> <li>• Stainless steel barrier arms</li> <li>• Anchor Bolts (M12) + nuts</li> <li>• Wired remote control (for testing only)</li> <li>• Cleaning kit</li> </ul>

## ACCESSORIES

### PRODUCT ACCESSORIES

Accessories	<ul style="list-style-type: none"> <li>• iDTRONIC R840 Ethernet</li> <li>• QR Code Reader ID Ident 1500/2000</li> <li>• Remote Control (Wired /Wireless)</li> <li>• 3rd party reader installation (z.B. MIFARE, LEGIC, EM, HID etc.)</li> </ul>
-------------	---

**IT IS EITHER POSSIBLE TO HAVE A CONTINUOUS PASSAGE (FREE EXIT), OR TO USE A COUNTER.**

**BOTH FUNCTIONS CANNOT BE INSTALLED SIMULTANEOUSLY.**

