

ID Railing

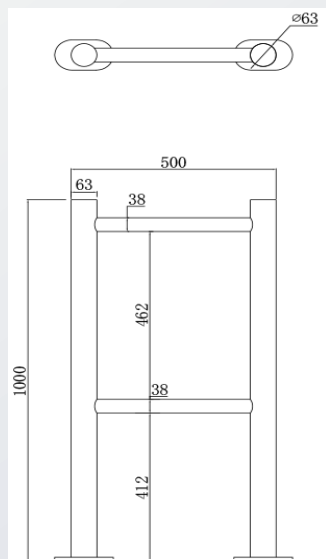
SYSTEMS



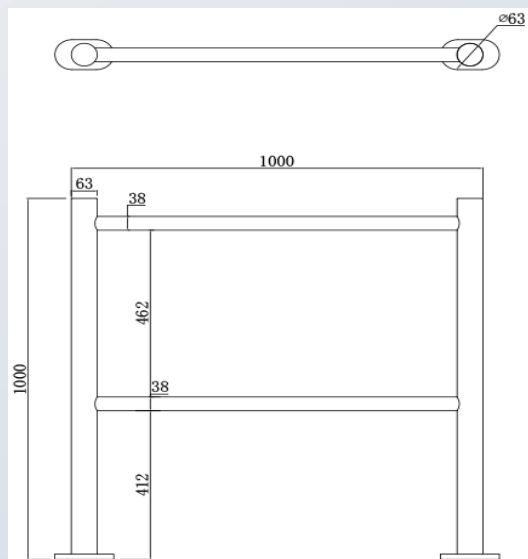
WITHOUT GLASS



500mm



1000mm



TECHNICAL DATA

SPECIFICATIONS

Dimensions of Railing	500 x 63 x 1000mm (L x B x H) 1000 x 63 x 1000mm
Material	Stainless Steel (304)
Installation	Floor Mount
Working Environment	Indoor/Outdoor Use

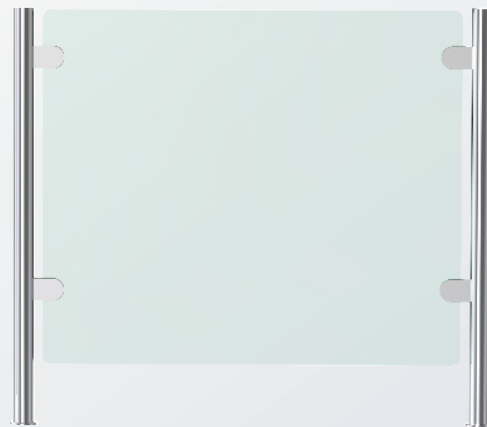
ID Railing

SYSTEMS

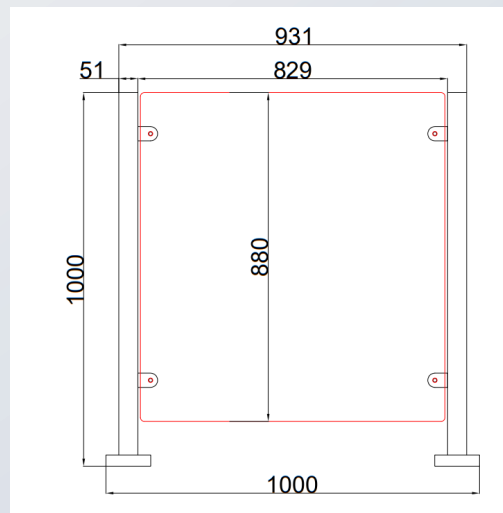
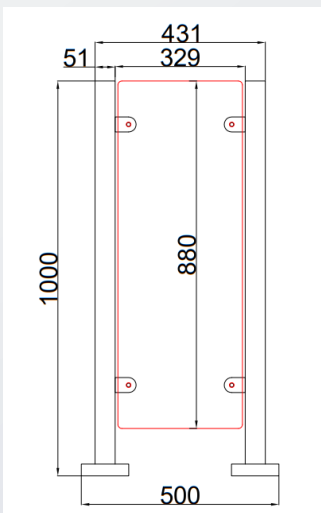
WITH CLASS



500mm



1000mm



TECHNICAL DATA

SPECIFICATIONS

Dimensions of Railing	500 x 63 x 1000mm (L x B x H) 1000 x 63 x 1000mm
Material	Stainless Steel (304) + Tempered Glass (ESG)
Installation	Floor Mount
Working Environment	Indoor/Outdoor Use