

ID Speed Gate 5600

Date: March 2025

Version: ID Speed Gate 5600



Please read and follow the installation instructions before operating the appliance and keep the instructions for future reference or use after troubleshooting.

TABLE OF CONTENTS

| | |
|---|-----------|
| 1. Installation Instructions..... | 3 |
| 1.1 Installation Requirement..... | 3 |
| 1.2 Installation..... | 3 |
| 2. Testing..... | 9 |
| 2.1 Parameter Description..... | 9 |
| 3. Troubleshooting..... | 11 |
| 3.2 Stainless Steel Turnstile Maintenance Manual | 11 |
| 3.3 Maintenance Tools and Materials..... | 13 |
| 3.4 Note..... | 13 |
| 4. Support..... | 13 |

1. Installation instruction

1.1 Installation Requirement

- For indoor installation

- The floor surface on which the barrier is installed must be level;
- The turnstiles must be grounded.
- The power cord should be no less than RVV3*2.0;
- When installing, make sure the body is horizontal and the turning bar is vertical.

- For outdoor installation

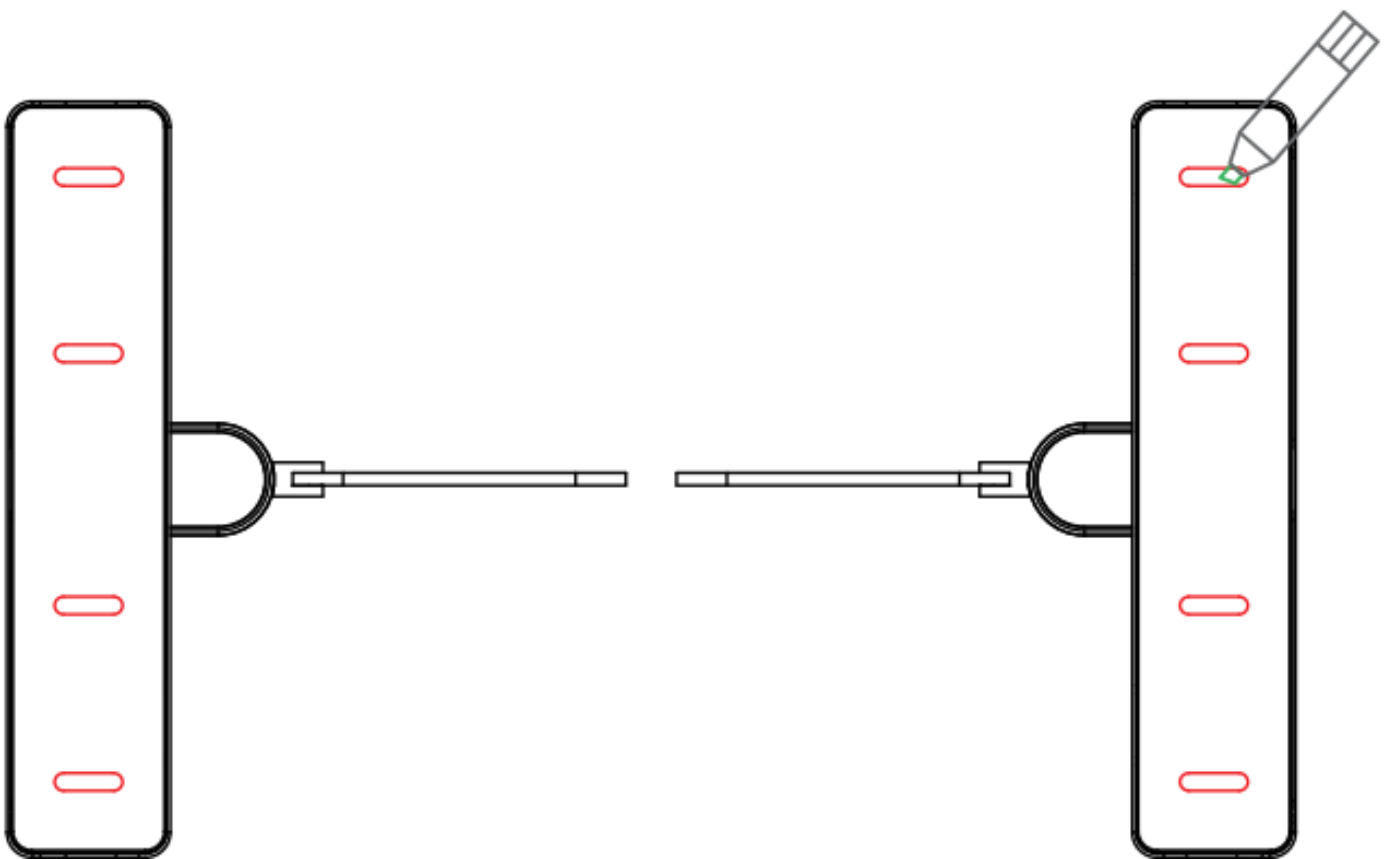
- The ground surface where the gate is installed should be level;
- The concrete grade \geq C30 (For outdoor installation);
- Concrete thickness \geq 200mm;
- The ground must be frost-free and have good bearing capacity;
- The turnstiles must be grounded.
- The power cord should be no less than RVV3*2.0;
- When installing, make sure the body is horizontal and the turning bar is vertical.

1.2 Installation

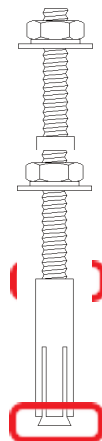
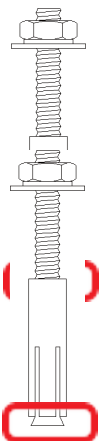
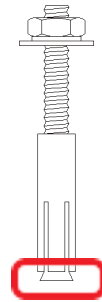
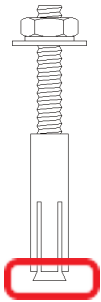
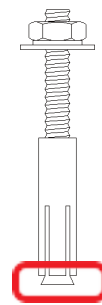
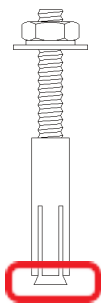
According to the channel requirements, place the equipment in good condition, ensuring that both end of the equipment are level and the channel width is consistent.



Mark the fixed hole position

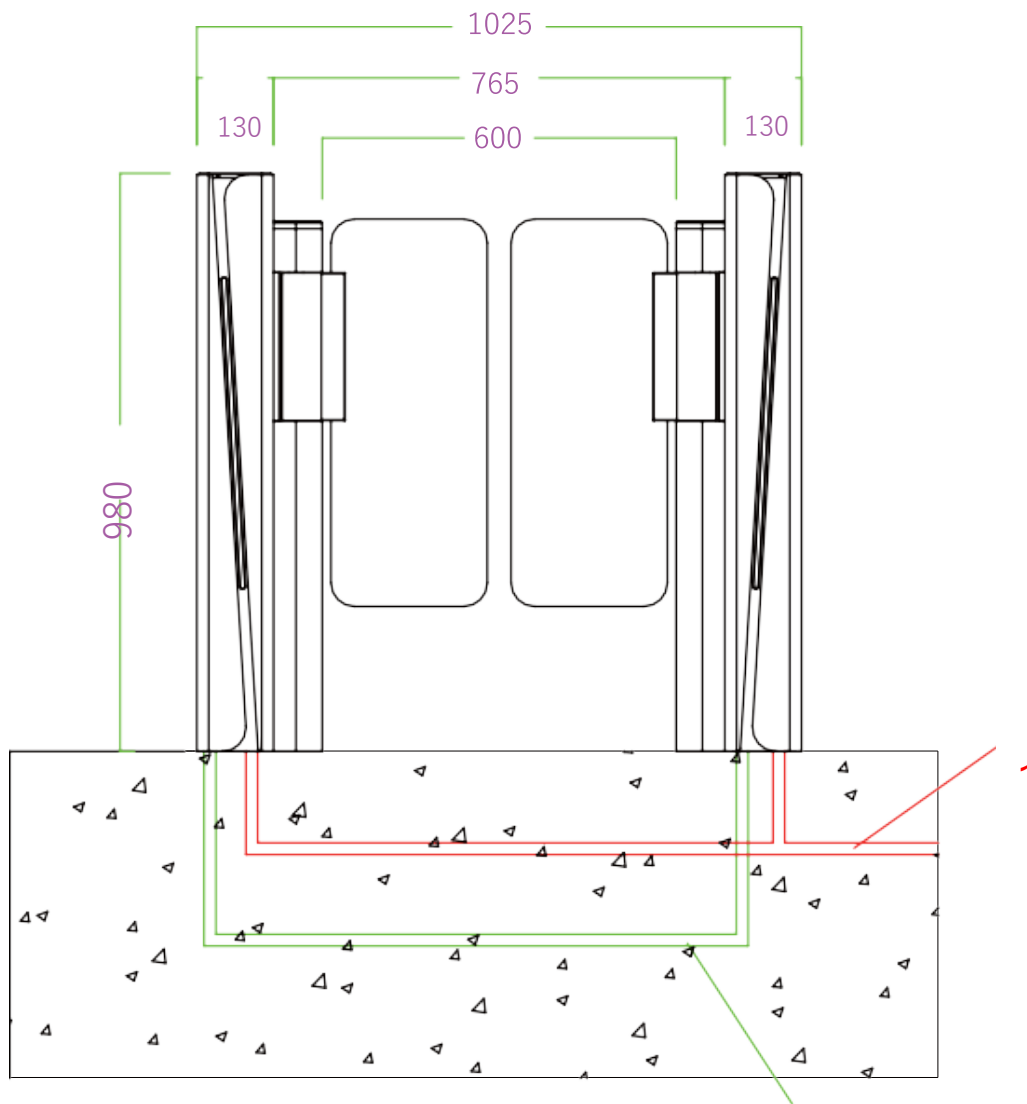


Move the device away and embed M12 * 100 expansion screws according to the marked hole positions



Buried wires according to wiring diagram ahead of time

(Note: This device only needs power cords. If other access control equipment is installed, wiring can be done according to actual conditions. Please note that the master servomotor driver is connected to the slave servomotor driver.)



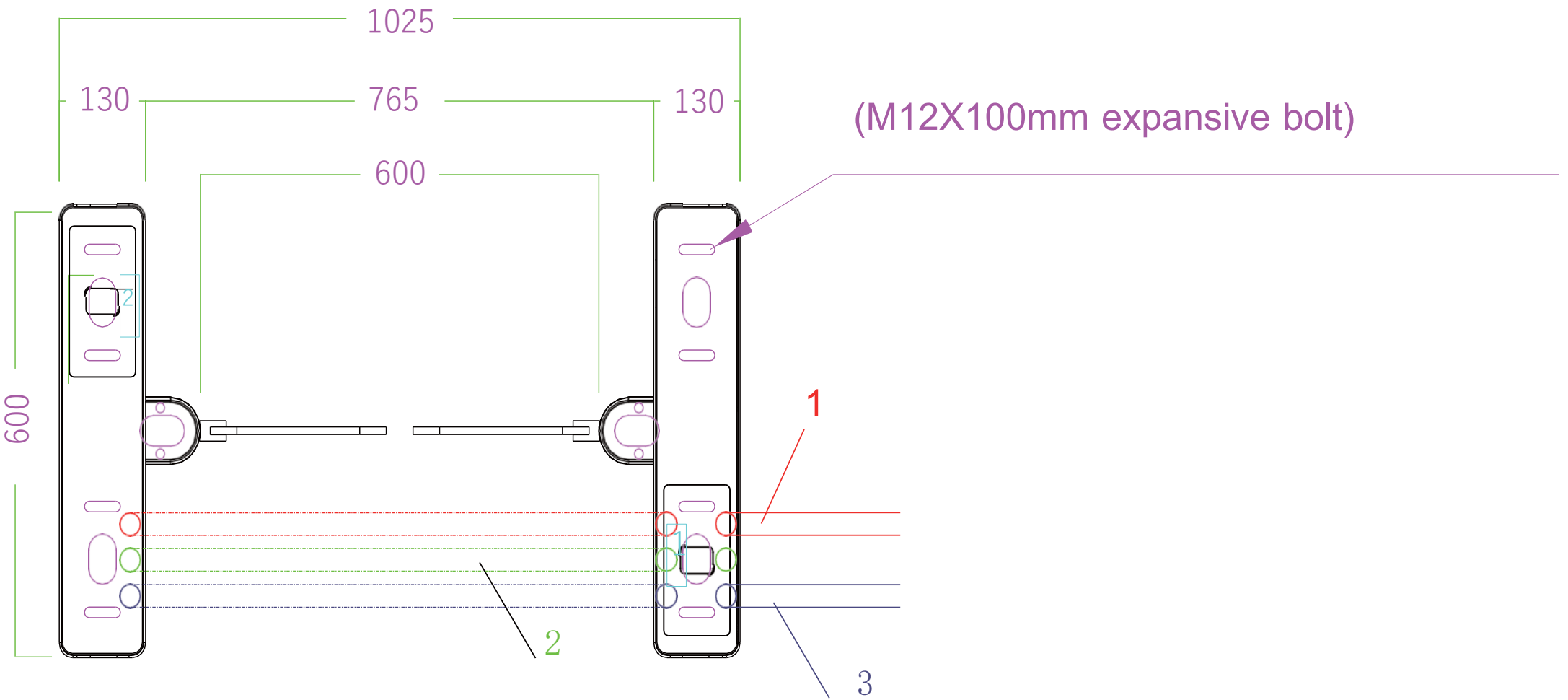
Installation Manual:

2

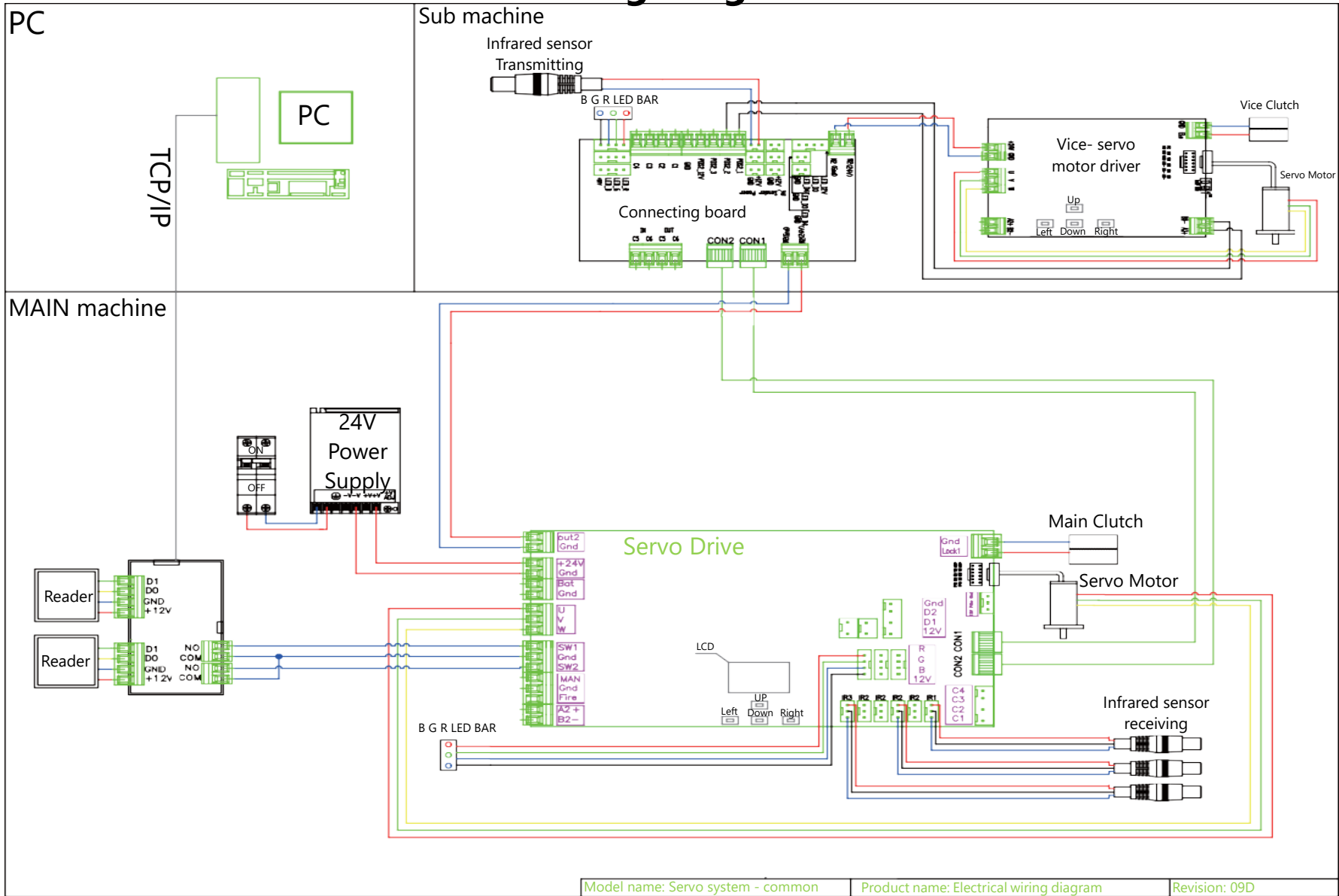
- 1 || The Ø20mm PVC tube for AC 220V Power wires (3 X Ø2.0mm).
- 2 || The tube for connecting vice-machine to master machine in the same lane (CAT5 network cables*2PCS, 2 * 1.0mm Power wires*1PCS).
- 3 || TCP/IP ethernet cable for connecting access device to PC.
- 4 || 1. Master servo motor driver, 2. Slave- servo motor driver.
- 5 || Fixing the equipment with M12 X 90mm expansive bolt.

Mark: All wires extending out of the ground shall be no less than 2M.

Turnstile installation and fixation



Wiring Diagram



Model name: Servo system - common

Product name: Electrical wiring diagram

Revision: 09D

2. Testing

- 1) Check the wiring:
According to the wiring diagram, check whether the online and power lines of the gate are connected correctly. Only after confirming that they are correct can the power be turned on. If there are any abnormalities during the power on process Always disconnect the power and check the connecting wires first.
- 2) Function debugging:
After power on, the gate is opened and closed, then opened and finally closed. This process is a machine self-test, and the self-test is completed after two beeps of two seconds. Do not block the infrared during the process and do not stand in the channel.
- 3) Enter the lines without swiping card, the turnstile will always alarm; if no alarm, please check if the infrared sensors are aligned. When they are aligned, the infrared receiver lights up red; When they are not aligned, and then the infrared receiver will not light up red, please adjust and align the infrared sensors.
- 4) 4. The unlocking time of the access control relay should be set to 0 seconds or 1 second.
- 5) When flashing a valid card, the indicator light turns into a green arrow. If the direction indicated by the indicator light is incorrect or if the entrance gate is closed immediately and an alarm is triggered, switch to SW1 Simply swap the Gnd and SW2 Gnd wiring.
- 6) Carefully inspect and test to ensure that there are no abnormalities in the door opening and closing, the indicator lights are correct, and the infrared anti pinch function is normal before putting it into use.

2.1: Parameter Description

| Menu | Illustrate |
|-------------------|---|
| 1. Parameters | |
| 1.1 Counter | Display pass through count |
| 1.2 Gate Mode | Set gate mode (NO, NC and card, free or reject) of enter and exit : 1.NC, Both Card (default) |
| 1.3 Pass Time Out | Set maximum waiting time 10-255, unit 0.1s, default 5 seconds |
| 1.4 Memory | Set Scan Card With Memory Mode: default both disable |
| 1.5 Read In Lane | Set Can Scan Card After Entry Lane, Please do not modify: default not allow |
| 1.6 Open Delay | Set Authorized Open Door Delay 0-255, unit 0.1s, (default 0) |
| 1.7 Close Delay | Set Close Door Delay After Passage Finish0-255, unit0.1s, (default 0) |
| 1.8 MIN Speed | Set the power-on self-check speed of the gate, the smaller the value, the slower the speed |
| 1.9 Open Speed | Set the gate opening and closing speed, the smaller the value, the faster the speed |

ID SPEED GATE 5600

| | |
|--------------------------|---|
| 1.10 Pass End | Set IR Check passage end position: 1. exit (default), 2. safety |
| 1.11 Intrude Set | Set Intrude Alarm Mode : 1.none, 2 .alarm (default), 3. alarm and close |
| 1.12 Reverse Set | Set Passage From Reverse Alarm Mode : 1 none, 2. alarm (default), 3 alarm and close |
| 1.13 Tail-Gating | Set Tail-Gating Alarm Mode : 1 none, 2. alarm (default), 3 alarm and close |
| 1.14 Entry-Voice | Not enabled |
| 1.15 Exit -Voice | Not enabled |
| 1.16 Alarm-Voice | Not enabled |
| 1.17 Adv. Param | |
| .1 Motor Type | Set motor type : 1.TB 2.LS 3.HBL |
| .2 KP | Ring speed value |
| .3 KI | Ring cache value |
| .4 Motor Protection | Set motor over current protection threshold: default 13.0A |
| .5 Entry Angle | Set turnstile door opening angle for Entry |
| .5 Exit Angle | Set turnstile door opening angle for Exit |
| .7 Output Test | Not enabled |
| .8 Lock Open | Set clutch : 1.Not Allow, 2.Allowed |
| .9 Save Factory Settings | Save the current parameter to factory default |
| .10 Relay Mode | Set add relay use for passed counter: default none |
| .11 Auto Report | Set automatic report gate status when on change: default disabled |
| .12 Motor Direction | Set direction of motor rotation : 1. DIR_ON, 2. DIR_REV |
| .13 NO Direction | Set the normally open the gate opening direction: default entry |
| .14 Power Lost | Set the normally open the gate opening direction when Power failure: default enter |
| .15 Barriers | signal or double machine work: default double |
| .16 IR Logic | Set IR logic type: default inside |
| .17 LED Mode | Set LED directional indicator mode : 1) Static LED , 2) Small square LED |
| .18 Set Device Type | Set Controller Device Type: 1) Swing Barrier Gat; 2) Flap Barrier Gate; 3) Tripod Turnstile |
| 2. System Set | |
| 2.1 Language | Set menu display language |
| 2.2 Device Type | Display controller device type |
| 2.3 Version | Display hardware and firmware version information |
| 2.4 Set Address | Set device logic address |
| 2.5 SLE.Address | Not enabled |
| 2.6 Master Flag | Not enabled |
| 2.7 RS485 Baud Rate | Set baud rate of the RS485 |
| 2.8 Reset | Reset all setting to factory default |
| 2.9 Restart | Restart controller |
| 3. Factory Test | |
| 3.1 Cycle Test | Open and close door cycle test |
| 3.2 Set Zero | Set barrier close position |

3. Troubleshooting

Basic concepts:

Infrared radiation consists of a receiving end and a transmitting end. The green light at the tail of the transmitting end is always on, and the receiving end (with 3 wires, brown, 12V, blue, Gnd, black). When the signal line is unobstructed, the red light at the tail does not light up, and there is no voltage output between the black signal line and the blue line. When there is obstruction, the red light at the taillights up, and the black signal. There is voltage output between the number line and the blue line.

| Questions | Solutions |
|--|--|
| 1. The indicator light is not on? | Switch to another test machine or use a good one to check the wiring. |
| 2. There is one indicator light with wrong direction? | Swap the connection between D1 and D2 terminals of control board. |
| 3. After swiping the card, one side of the door wing remains stationary? | Check if the wiring is loose; Power off and check if the connecting wires are properly connected; Check the electrical of the control board separately. The ports W, V, and U of the machine correspond one-to-one with the color of the line sequence |
| 4. Open the gate upon entering the channel? | Change the two-way free access mode of the control panel menu to card swiping mode. |
| 5. After swiping the card, enter the channel to sound an alarm and close the gate? | Connect the opening signal to the two terminals of the anti-adjustment control board, SW1 GND and SW2 GND. |

3.2: Note: Stainless Steel Turnstile Mainance Manual

Hello! Thank you for purchasing our company's products. Our company solemnly promises to customers that the pedestrian turnstile products you purchase are all made of high-end stainless steel 304. The sophisticated production technology is applied thoroughly to all production process. With strict quality inspection, the product quality is assured. Affected by improper operation and climate environment, various components will inevitably become worn and cracked, resulting in rust and poor customer experiences. Therefore, we recommend that you give your products regular maintenance and keep your products new.

Type: Surface dust, chemical liquid, dirt and acid and alkaline substances

Solutions: Wash with wet cotton cloth, then wipe clean, then scrub with alcohol, and then wipe the whole body of the turnstile with WD-40 rust remover;

Maintenance cycle: Weekly

Type: Check the moving parts for abnormal noise or looseness

Solutions: Apply butter to the mobbing part

Maintenance cycle: Quarterly

Type: The Surface has rainbow patterns or the surface color is dull

Solutions: Wash with wet soft cotton cloth, then wipe clean, then scrub with alcohol, and then wipe the whole body of the turnstile with WD-40 rust remover;

Maintenance cycle: Weekly

Type: Check if fasteners are loose or not and circuits is abnormal or not

Solutions: If the fastener is loose, then fasten. If the circuit is abnormal, eliminate the problems

Maintenance cycle: Annual



Why does the 304 stainless steel rust?

Environmental factors can cause corrosion and rusting of stainless steel, especially the presence of hydrogen ions and chloride ions. For example, hydrogen ions and chloride ions are present in table salt/sweat/sea water/sea breeze/soil, etc. Stainless steel corrodes quickly in the presence of chloride ions, even more than ordinary low carbon steel. Therefore, there are requirements for the working environment of stainless steel, and it needs to be wiped frequently to remove dust and keep clean and dry.



3.3: Maintenance tools and materials

1. Cleaner: Choose mild stainless steel cleaners and avoid using cleaners with acidic or alkaline ingredients
2. Soft cloth or sponge: Spray cleaners on a soft cloth (or sponge) to clean the turnstile surface.
3. Water: wash surface dirt.
4. Drying cloth: wipe off surface moisture.
5. WD-40 Rust Remover: Remove rust caused by long-term exposure to corrosive environment.
6. Lubrication: lubricate bearings, locking arms, transmission joint components.

3.4: Note:

1. Avoid using cleaners with acidic or alkaline ingredients, which may make the surface rust.
2. Avoid using sharp or hard objects to scratch the turnstile surface, which will affect the appearance of the turnstile surface.
3. Keep surface dry, avoid making the turnstile in moisture for a long time. Water stains will cause stainless steel to rust. If there are water stains on the surface, wipe it clean immediately
4. Regular inspection and maintenance, regularly check the turnstile surface condition to promptly find and resolve existing problems. If there are rust or scratches on the surface, please maintain or replace in time.

4. Support

iDTRONIC

**Ludwig-Reichling-Straße 4
67059, Ludwigshafen am Rhein**



Support@idtronic.de