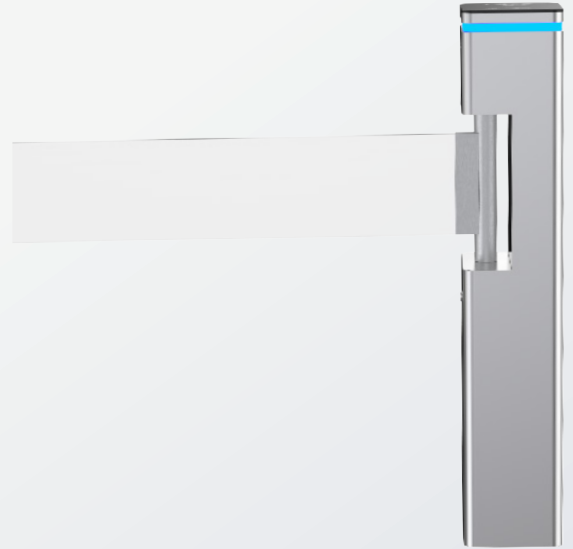


## Swing Gate

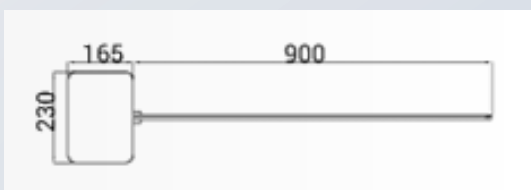
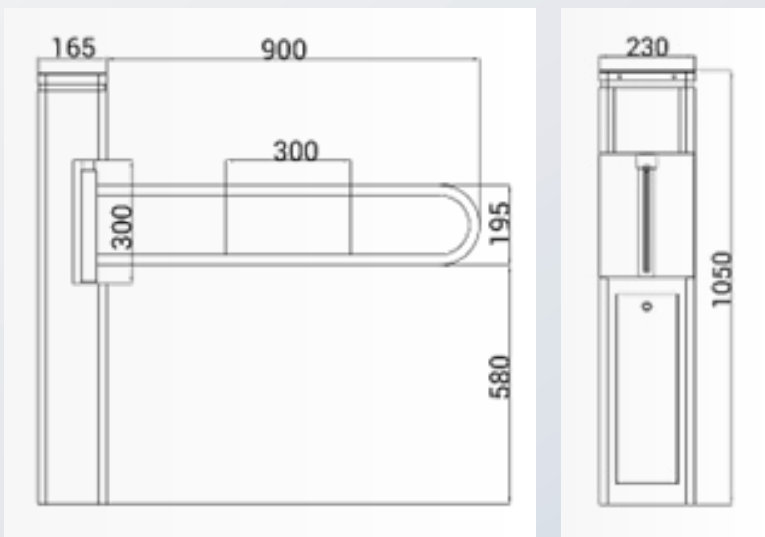
# GATE 1200



## PRODUCT DESCRIPTION

The ID Swing Gate 1200 is a stylish indoor swing gate, ideally suited for use in fitness studios, wellness areas, health centers, and similar facilities. It provides secure and controlled access and impresses with its elegant design made of high-quality stainless steel and glass, seamlessly integrating into modern interior architecture.

## DIMENSIONS



## HIGHLIGHTS

- High operational reliability and fast response time
- Supports both one-way and two-way operation
- Compatible with transponder- or ticket-based access
- Automatic opening of doors in case of fire alarm or power failure
- LED display for clear access indication
- Ideal for fitness studios, spas, and health centers

## Accessories (Optional)

- iDTRONIC RFID Built-In R840
- Remote Control (Wired / Wireless)

## TECHNICAL DATA

### SPECIFICATION

Dimensions	230 x 165 x 1050mm (L x W x H)
Material	Stainless Steel (304) + Acrylicglass
Power Supply	AC220V/110V, 50/60 Hz
Operating Voltage	24V DC
Passage Frequency	40 People per minute
Emergency Mechanism	Automatically opens the arms when power is turned off
Interface	Relay signal, RS485
Operating Location	Indoor
Protection Class	IP54
Operating Temperature	-20 °C up to 75 °C
Humidity	≤90%
Scope of Delivery	<ul style="list-style-type: none"> <li>• Swing Gate made of Stainless Steel</li> <li>• Glass</li> <li>• Anchor Bolts (M12) + Nuts</li> <li>• Wired Remote Control (for testing purposes only)</li> <li>• Cleaning Kit</li> </ul>

## ORDER CODES

### DESCRIPTION

ID Swing Gate 1200 Acrylicglass	• R-TS-SG1200-G
ID Swing Gate 1200 Metal	• R-TS-SG1200-S

## PRODUCT IMAGES

