



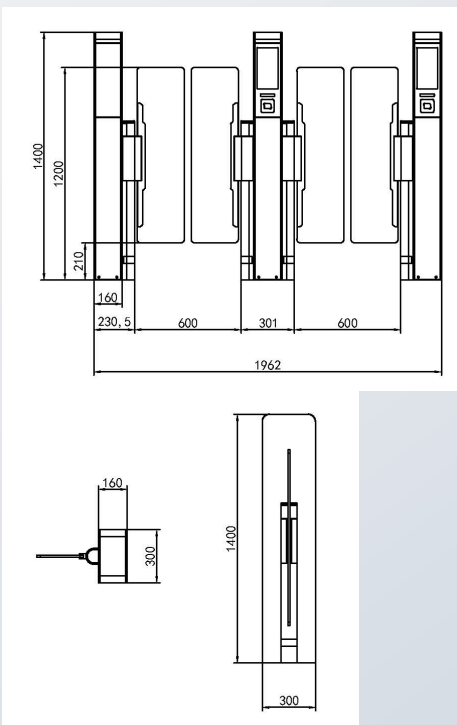
Security Gate

ID GATE 5500

PRODUCT DESCRIPTION

The ID GATE 5500 is a high-performance intelligent speed gate designed for secure and efficient pedestrian access control. Featuring a reliable servo-driven mechanism and multi-technology compatibility, it is suitable for commercial buildings, transportation hubs, and high-security environments

DIMENSIONS



HIGHLIGHTS

- **Robust Industrial Design**
- **Anti-Reverse Protection**
- **Flexible Memory & Operation Modes**
- **Automatic Reset Function**
- **Integrated Infrared Anti-Clipping Sensors**
- **Multi-Credential Support (RFID, QR, Face Recognition)**
- **Seamless System Integration**

Accessories (Optional)

- **iDTRONIC R840 Ethernet**
- **QR Code Reader ID Ident 1500/2000**
- **Remote Control (Wired /Wireless)**
- **3rd party reader installation (z.B. MIFARE, LEGIC, EM, HID etc.)**

TECHNICAL DATA

SPECIFICATIONS

Dimensions	1400 x 1061 x 300 mm
Material (housing)	Aluminum alloy, black anodized
Glass panel	Transparent polycarbonate (PC)
Power supply	24 V / 500 W, 12 V / 3 A
Air switch	2P
Passage width	600 – 900 mm
Infrared sensors	2D visual module
Control system	Servo control system
Drive motor	Brushless servo motor
Operating temperature	-20°C ~ +70°C
Humidity	≤90 % non-condensing

ORDER CODES

DESCRIPTION

ID Gate 5500	• R-TS-IDG-5500
--------------	-----------------

PRODUCT IMAGES

